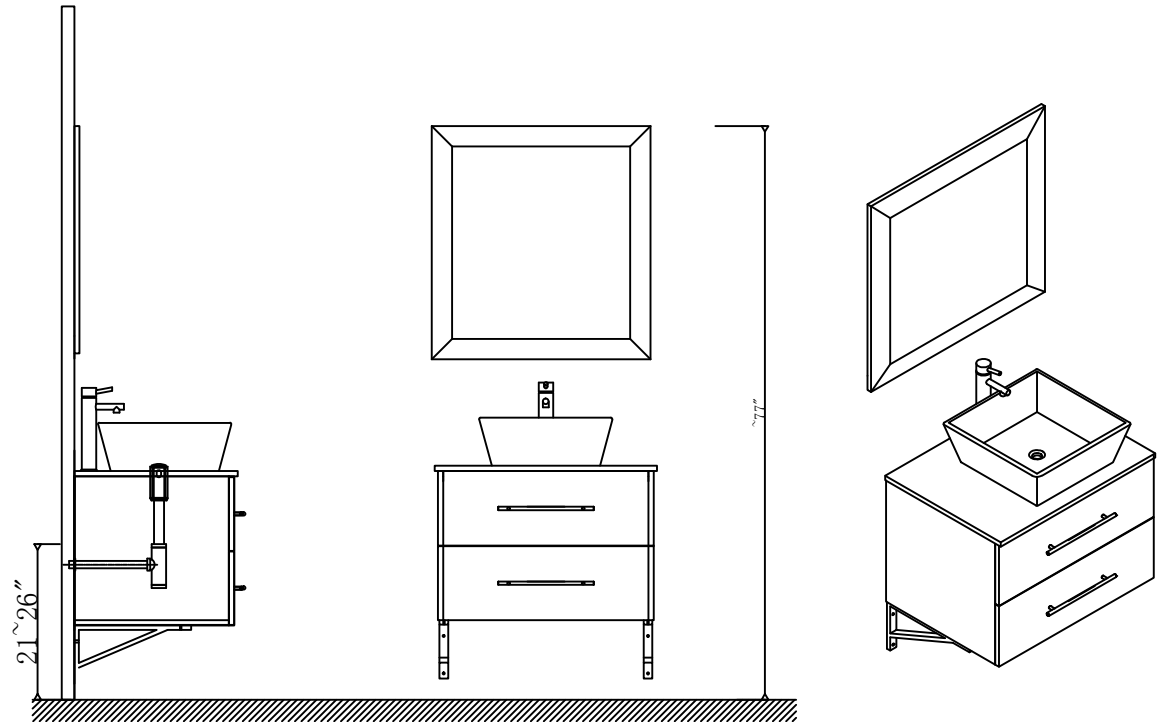


Prior to installation, please check the items you have received against the packing list. Report any missing items to your local dealer immediately.

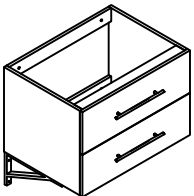
Protect all surfaces from sharp objects, high heat sources, direct prolonged sunlight and chemical hazards.

Professional installation is recommended.

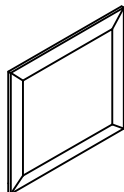


PARTS LIST (may differ depending on purchase)

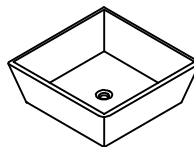
Cabinet



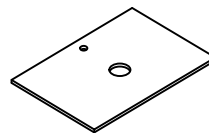
Mirror



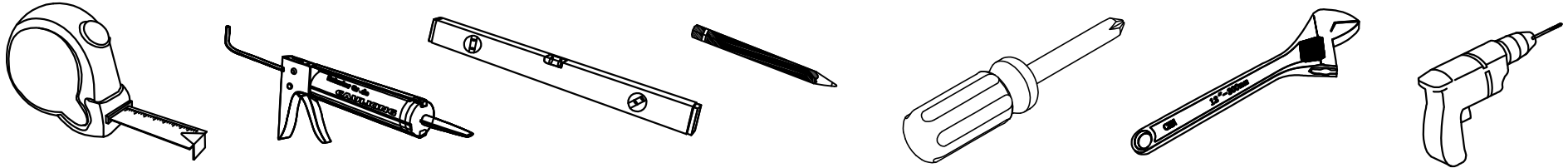
Basin



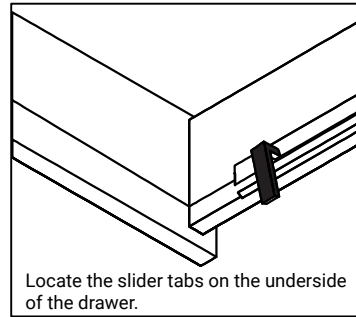
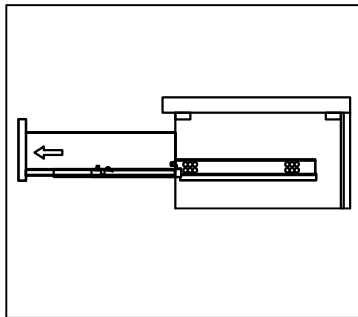
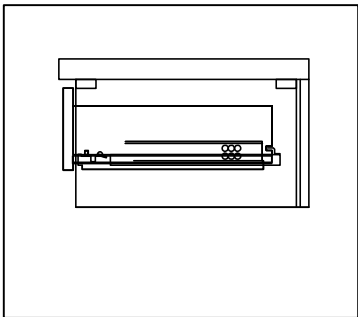
Top



REQUIRED TOOLS



DRAWER REMOVAL



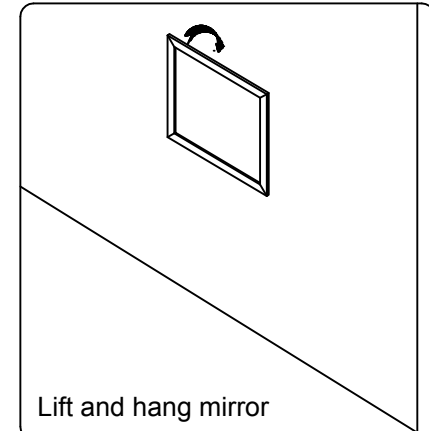
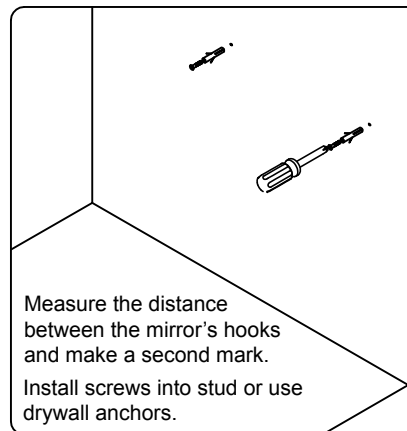
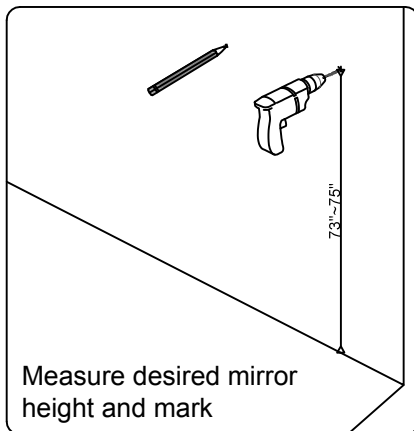
REMOVAL

1. Pull tabs toward center
2. Lift and pull drawer out

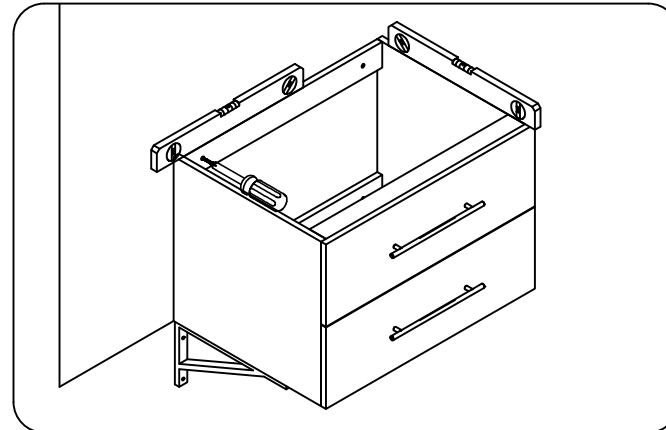
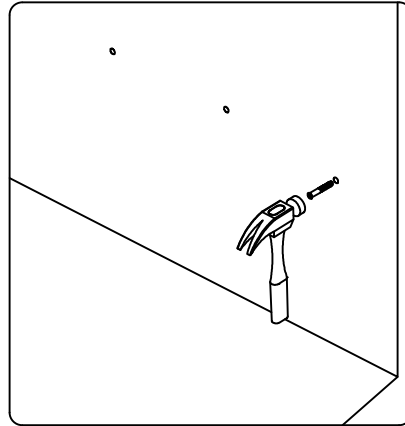
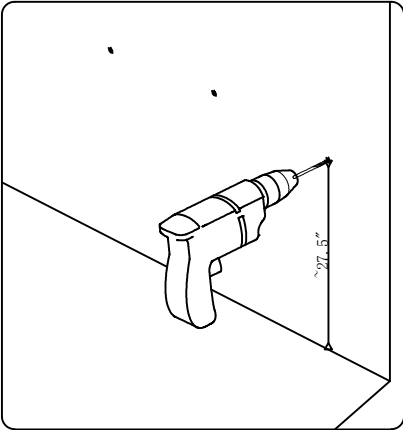
RE-INSTALL

1. Align drawer hole with slider stud
2. Push tabs back in to secure

MIRROR INSTALLATION



Cabinet Installation



Top Installation

